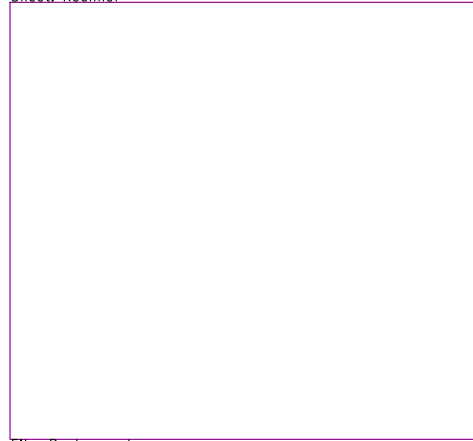


Sheet: Sensor



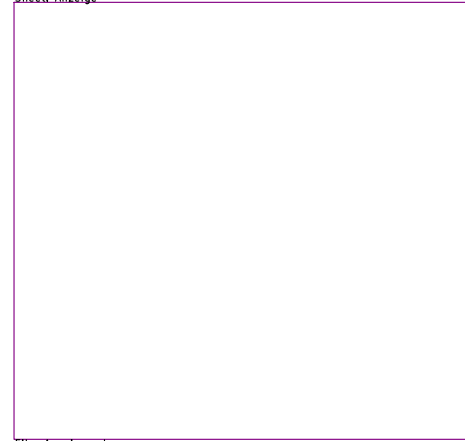
File: Sensor.sch

Sheet: Rechner



File: Rechner.sch

Sheet: Anzeige



File: Anzeige.sch

H.Kn.

Sheet: /

File: CM_DIAMOND_CLASSIC_V1_02.sch

Title: CM-Diamond_Classic

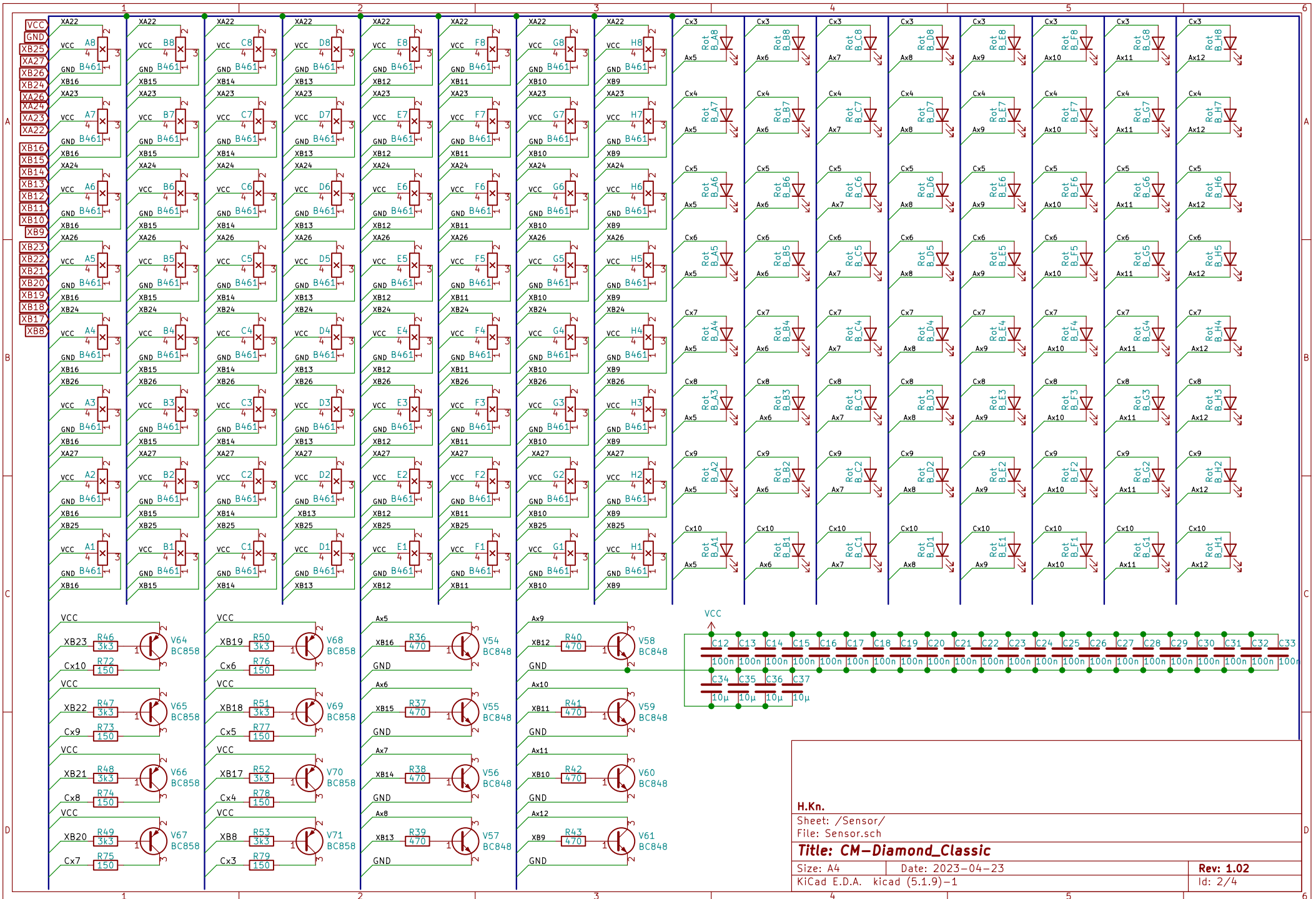
Size: A4

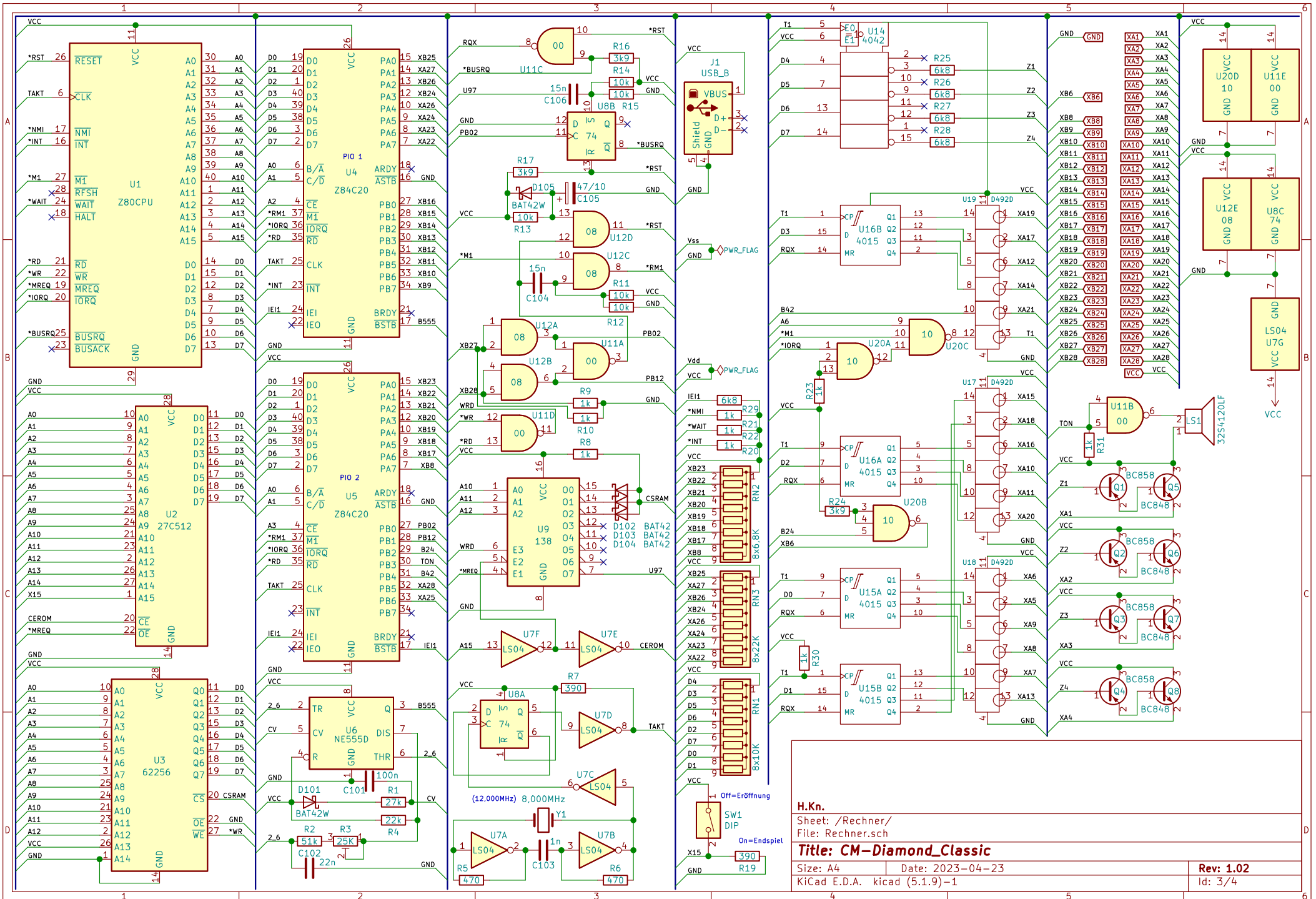
Date: 2023-04-23

Rev: 1.02

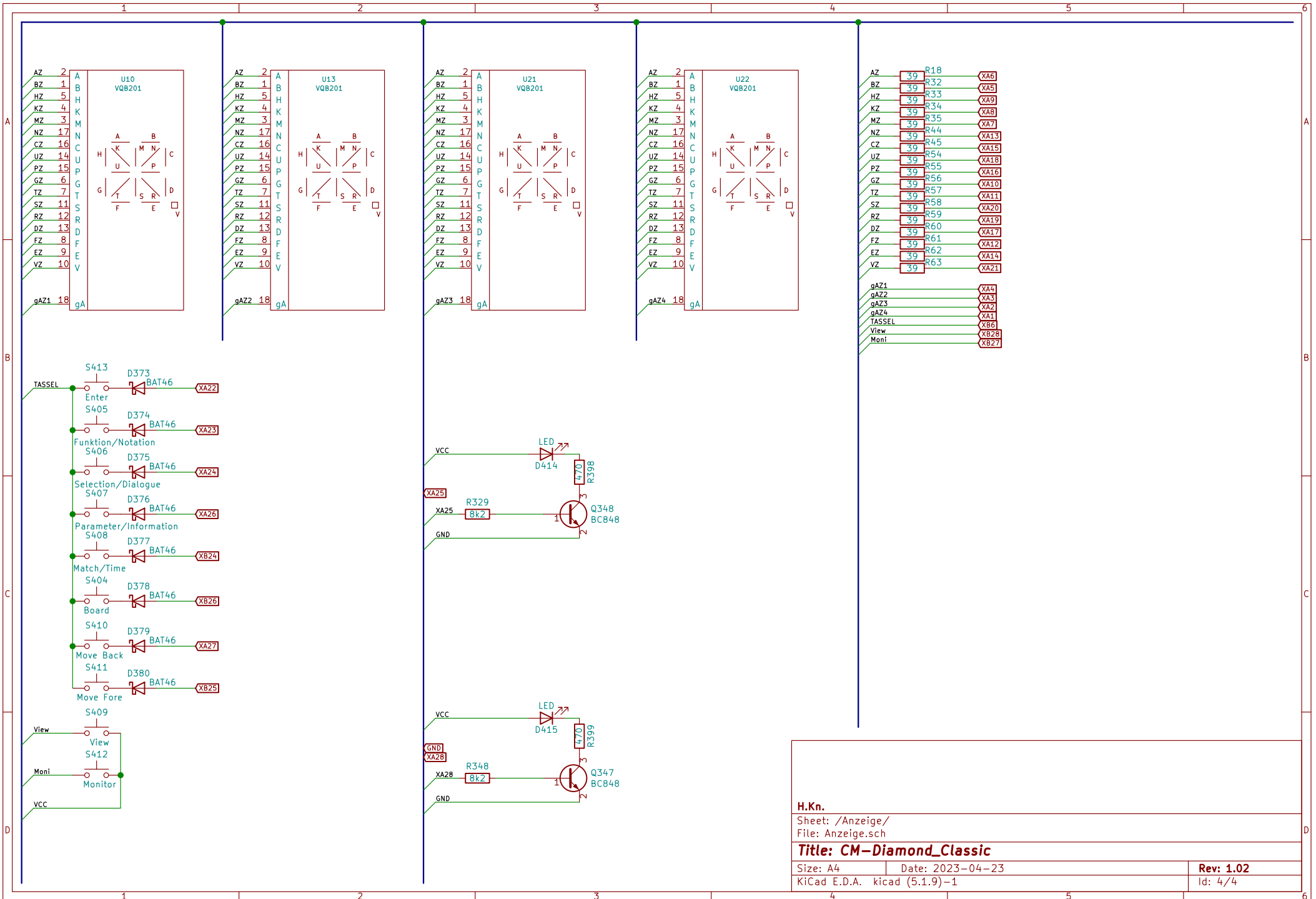
KiCad E.D.A. kicad (5.1.9)-1

Id: 1/4





H.Kn. Sheet: /Rechner/ File: Rechner.sch	
Title: CM-Diamond_Classic	
Size: A4	Date: 2023-04-23
KiCad E.D.A. kicad (5.1.9)-1	Rev: 1.02 Id: 3/4



H.Kn.	
Sheet: /Anzeige/	
File: Anzeige.sch	
Title: CM-Diamond_Classic	
Size: A4	Date: 2023-04-23
KiCad E.D.A. kicad (5.1.9)-1	Rev: 1.02
	Id: 4/4